



Pei Evaluation Service® is an accredited ISO Standard 17065 Product Certifier, accredited by the IAS. This **Product Evaluation Report** represents a product that Pei ES has Evaluated. This product has a Product Evaluation Service Agreement & Follow-up Inspection Service Agreement. This **Product Evaluation Report** in no way implies warranty for this product or relieves **USG Interiors, LLC** of their liabilities for this product. This **PER** is an official document if it is within one year of the initial or re-approval date.

**Initial Approval**  
January, 2013

**Re-Approved**  
January, 2018

See all Pei ES Listings at: [www.p-e-i.com](http://www.p-e-i.com)

**Report Owner**

**USG Interiors, LLC**  
550 West Adams Street  
Chicago, Illinois 60661

**Approved Manufacturing Locations**

Pei ES has on file a list of each approved manufacturer and manufacturing location for the SB2 Adjustable Wall Molding Bracket.

**Product**

**SB2 Adjustable Wall Molding Bracket**

**Evaluation Report Information**

[usg4you@usg.com](mailto:usg4you@usg.com)  
**USG Support: 800.USG4YOU**

**General Details**

The **SB2 Adjustable Wall Molding Bracket** is manufactured by approved independent companies. Any company manufacturing the said product for **USG Interiors, LLC** that is intended to be evaluated by this **Product Evaluation Report** has a Quality Control Program established by **USG Interiors, LLC** to monitor the finished product. The Quality Control Program for monitoring the finished product is completed at **USG Interiors, LLC** - Plant No. 601 located at 1000 Crocker Rd., Westlake, OH 44145 and will be audited Quarterly by Pei.

**Product Description**

The **SB2 Adjustable Wall Molding Bracket** is manufactured from hot-dipped galvanized G30 - G60 cold rolled painted steel. The steel thickness specifications are a minimum 0.019" for G30 and 0.024" for G60. The bracket secures standard wall molding at an angle to accommodate a sloped acoustical ceiling. The brackets can be field modified to accommodate numerous slopes (up-slope and down-slope) while utilizing standard wall molding and eliminates the need for fabricated wall molding. Applications for uses include all interior general areas, facilitates the use of the USG ACM7 seismic clip and works with intermediate and heavy-duty DONN® Suspension Systems. The lay-in suspended ceiling slope is categorizes in three (3) sections for non-seismic and seismic design installation. The three (3) lay-in suspended ceiling slope sections are <15°, 15° - 25° and >25° and are engineered for installation requirements. Install bracket using lag screws or self drilling and self tapping screws.

**General Product Use**

1. The **SB2 Adjustable Wall Molding Bracket** shall be installed in accordance with the **SB2 Adjustable Wall Molding Bracket** installation guide and are subject to the conditions of this **PER**. A copy of the **SB2 Adjustable Wall Molding Bracket** installation guide shall be made easily available to the installer.
2. All construction, wood or steel framing, beams, joist, stringers and associated connections needed to support the **SB2 Adjustable Wall Molding Bracket** are outside the scope of this **PER**. All construction shall follow applicable codes or be designed by a licensed Engineer.
3. The SB2 Adjustable Wall Molding Bracket must be installed in compliance with ASTM C636, ASTM C635, ASTM E580, CISCA and Industry Standard practices.

**Code Compliance**

Meets the requirements for suspended ceilings in accordance with the **2012 and 2015 International Building Code®**.

<b>2012 and 2015 International Building Code</b>
Section 2506.1 and Section 808.1 Section 1613 - In Compliance with Requirements

**Compliance with the following Standard**

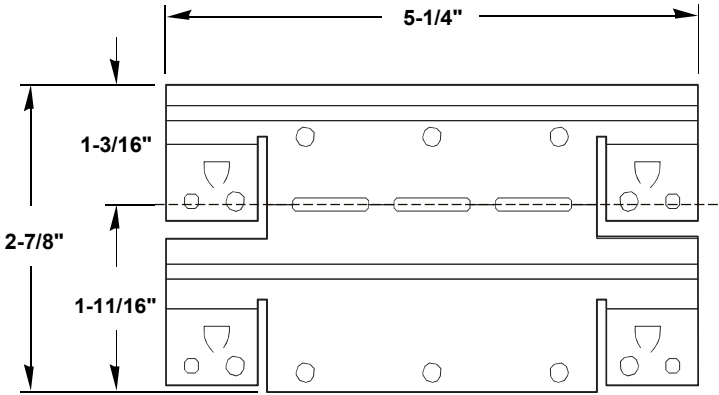
- ASCE 7 - Minimum Design Loads for Buildings and Structures
- ASTM E 580 - Standard Practice for Application of Ceiling Suspension Systems for Acoustical Tile and Lay-in Panels in Areas Requiring Moderate Seismic Restraint
- ASTM C 636 - Standard Practice for Installation of Metal Ceiling Suspension Systems for Acoustical Tile and Lay-in Panels
- ASTM C 635 - Standard Specifications for the Manufacture, Performance and Testing of Metal Suspension Systems for Acoustical Tile and Lay-in Panel Ceilings

**Seismic Classification**

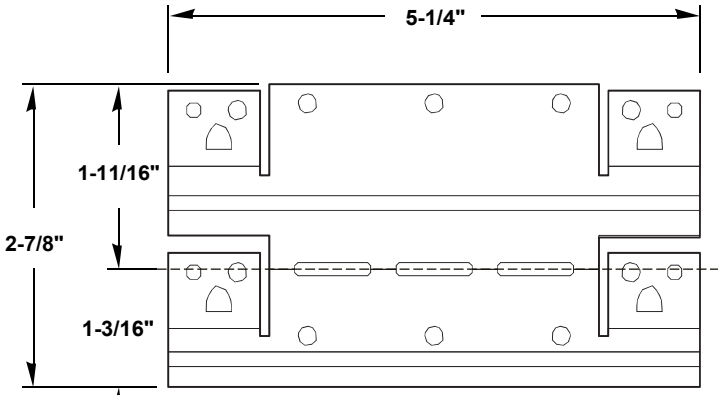
**Table 1 - Seismic Design**

Lay-in Suspended Ceiling Slope	Non-Seismic Installation	Seismic Design Category C	Seismic Design Category D, E and F
< 15°	USG M7 Wall Molding with positive attachment on all tee ends of 7/8" fabricated wall molding with positive attachment on all tee ends	USG M7 wall molding with ACM7 Seismic Clip or 7/8" fabricated wall molding with ACM7 Seismic Clip	USG M7 wall molding with ACM7 Seismic Clip or 7/8" fabricated wall molding with ACM7 Seismic Clip
15° - 25°	SB2 Adjustable Wall Molding Bracket with positive attachment on all tee ends or 7/8" fabricated wall molding with positive attachment on all tee ends	SB2 Adjustable Wall Molding Bracket installed with USG M7 Wall Molding and USG ACM7 Seismic Clip	SB2 Adjustable Wall Molding Bracket installed with USG M7 Wall Molding and USG ACM7 Seismic Clip
> 25°	Fabricated wall molding with positive attachment on all tee ends	Engineered	Engineered

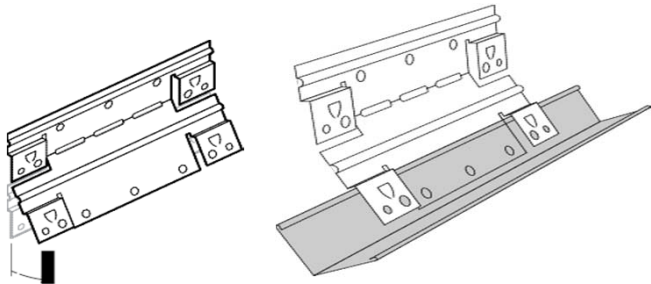
Note: Installed in compliance with Seismic Design Category C, D, E and F



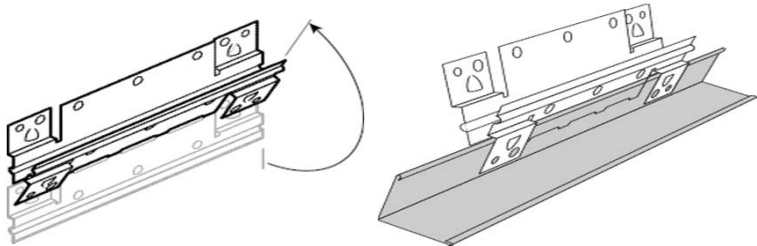
**Figure 1 - Up Slope Profile Details**



**Figure 2 - Down Slope Profile Details**



**Figure 3 - Up Slope Installation**



**Figure 4 - Down Slope Installation**

### Acceptable Evaluation Marks



### Product Labeling

Each **SB2 Adjustable Wall Molding Bracket** assembly shipment, that is covered by this **Product Evaluation Report**, must have a label attached with at least the following information:

1. [USG Interior, LLC](#) Name and Address
2. Product Name
3. Plant Identifier & Date Code
4. *Pei* **ES** Information: [See Pei Evaluation Report at p-e-i.com](#)

### Test Records

Test report No. PEER-STI/2011-12 Seismic Evaluation of Suspended Ceiling Systems: Phase 1 and 2 of 2011 Test Program - Dated: July, 2011.

Test report No. SER 14/02 Seismic Evaluation of Suspended Ceiling Systems During 2008-2011 Time Period - Dated: January, 2014.

### Product Documentation

A Product Evaluation Service Agreement between *Pei Evaluation Service*<sup>®</sup> and [USG Interiors, LLC](#).

A Follow-up Inspection Service Agreement between *Progressive Engineering Inc.* and [USG Interiors, LLC](#).

[USG Interiors, LLC](#) Quality Control Manual for DONN<sup>®</sup> Brand Suspension Systems and [USG Drywall Suspension Systems](#) - Dated: 9/18/2017

DONN<sup>®</sup> Suspension Systems - **SB2 Adjustable Wall Molding Bracket** - Submittal Sheet - Dated: 6/2013

Seismic Technical Guide - **SB2 Adjustable Wall Molding Bracket** - Technical Document - Seismic Technical Guide - Dated: 6/2013

DONN<sup>®</sup> Brand Suspension Systems - Accessory Product Guide - Dated: 6/2017