

**Pei Evaluation Service®** is an accredited ISO Standard 17065 Product Certifier, accredited by the IAS. This **Product Evaluation Report** represents a product that **Pei ES** has Evaluated. This product has a Product Evaluation Service Agreement & Follow-up Inspection Service Agreement. This **Product Evaluation Report** in no way implies warranty for this product or relieves **RSP Industries, Inc.** of their liabilities for this product. This **PER** is an official document if it is within one year of the initial or re-approval date.

Initial Approval  
June, 2018

Re-Approved

See all **Pei ES** Listings at: [www.p-e-i.com](http://www.p-e-i.com)

**Report Owner**  
**RSP Industries, Inc.**  
2182 East Aurora Road  
Twinsburg, OH 44087

**Approved Manufacturing Location**  
**RSP Industries, Inc.**  
2182 East Aurora Road  
Twinsburg, OH 44087

**Product**  
**SAPboard Floor Decking**

**Evaluation Report Information**  
Contact: Rick Raymond  
Phone: 440-823-4502  
Email: [richard@rsppanelsinc.com](mailto:richard@rsppanelsinc.com)

**Product Evaluated For**

This Product Evaluation Report is only to provide Horizontal Cantilever Floor Diaphragm values for **SAPboard**.

**Product Description**

**SAPboard** is a laminated floor decking. It is constructed of two layers of 23/32" Listed OSB with a proprietary sound insulation material between the OSB layers. The layers are laminated using a water based adhesive and pressure. A tongue and groove is cut into the long sides of the finished laminate. The finished **SAPboard** Laminate thickness is a nominal 1-1/2".

**SAPboard Fastening**

The **SAPboard Floor Decking** shall be fasten to the wood framing by #8 x 3" long Simpson Strong-Tie WSNTL Strong-Drive Subfloor Screws. See ICC-ES ESR-1472. Screw spacing of 6" o.c. used along the rim board and butt joints and inset 1" from the panel corners and 1/2" from panel edges. Screws are spaced 12" o.c. along the wood framing members. Screws are located 1" away from tongue and groove joints. Care shall be taken to ensure that the screws are installed flush or slightly below the top surface of the **SAPboard**. See Figure 1 for fastening details.

**Framing**

The approved wood framing is to consist of certified wood trusses spaced at a maximum of 24" o.c., with a minimum top chord width of 2-1/2". The rim board shall be nominal 2x8 S.P.F. lumber along top and bottom chords.

**Product Application**

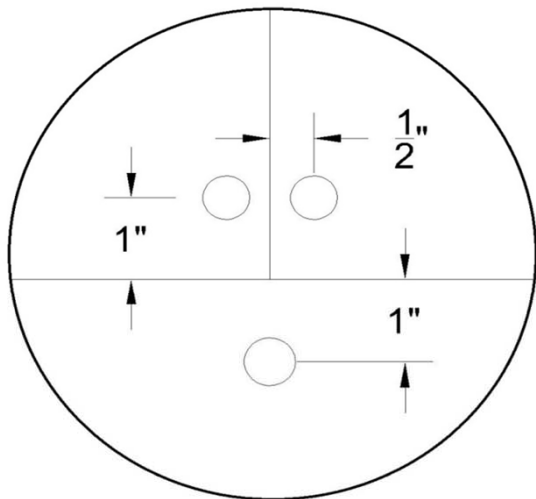
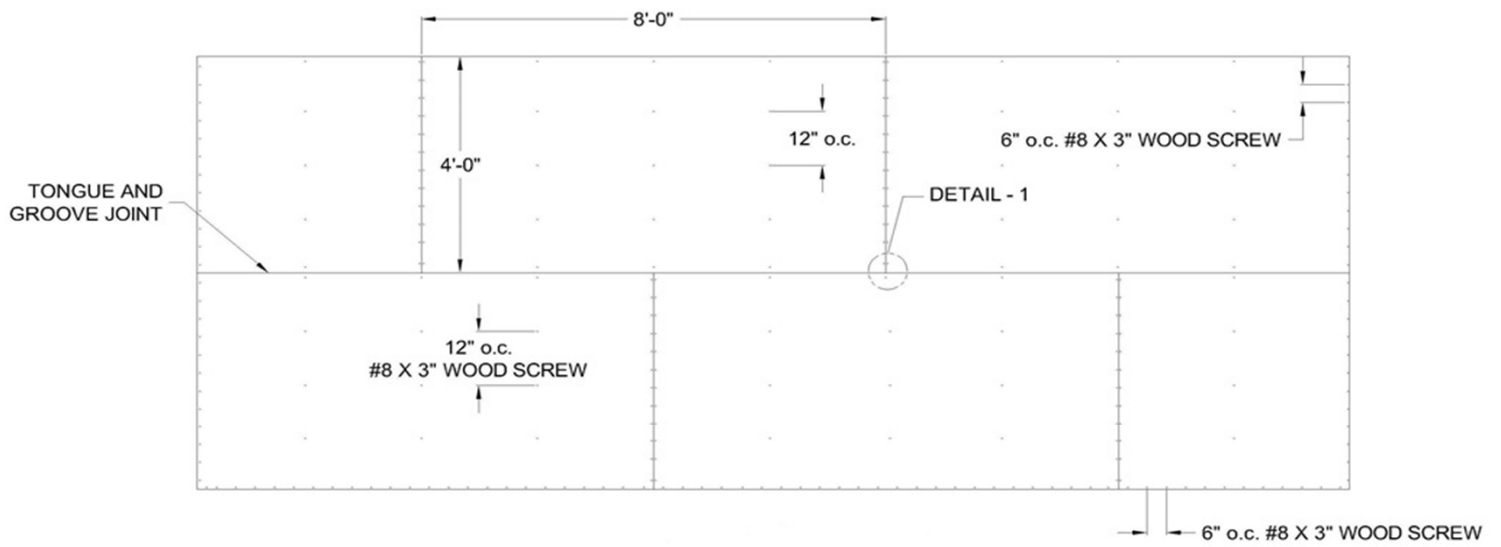
The **SAPboard Floor Decking** is equal to or better than 23/32" APA published Cantilever Floor Diaphragm values when installed as described in this report. The published APA diaphragm values specify a 10d common nail. The **SAPboard** must be installed with the Simpson screw described above or better.

**General Product Usage and Limitations**

1. This report does not consider steel or nominal Lumber Framing.
2. The **SAPboard** shall be installed in accordance with the applicable building code and the manufacturer's published installation instructions.
3. This evaluation report is contingent on the 23/32" OSB used to be currently under an ISO 17065 Product Certifier Program and a current ISO 17020 Inspection Program.
4. The building main framing and its ability to supporting this diaphragm and it's cantilever capacity, shall be the responsibility of the design professional for the entire building.

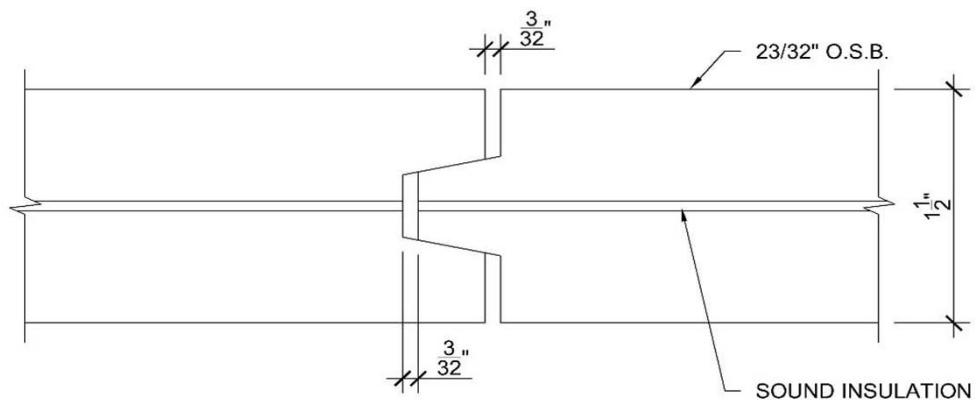
**Code Compliance**

<b>2015 International Residential Code</b> Section R104.11	<b>2015 International Building Code</b> Section 104.11
<b>2018 International Residential Code</b> Section R104.11	<b>2018 International Building Code</b> Section 104.11



**#8 x 3" - Simpson Strong-Tie WSNTL Strong-Drive Subfloor Screw**

**Figure 1 - Fastening Application and Approved Fastener**



**Figure 2 - Tongue and Groove Joint**

### Product Storage and Handling

The **SAPboard** shall be stored on a flat, level surface and supported properly underneath. Care shall be taken to keep the **SAPboard** free from excess dirt and debris prior to installation.

### Product Labeling

Each **SAPboard** or shipping bundle of **SAPboard**, that is covered by this **PER**, must be marked with the following information:

1. **RSP Industries, Inc.** Name
2. Product Name
3. Plant Identifier & Date Code
4. This **PER** Number & *Pei* **Evaluation Service** Name or Logo

### Acceptable Evaluation Marks



### Product Documentation

- A Product Evaluation Service Agreement between *Pei* **Evaluation Service** and RSP Industries, Inc.
- A Follow-up Inspection Service Agreement between *Progressive Engineering Inc.* and **RSP Industries, Inc.**
- A Manufacturing Quality Control Manual
- SAP Board Installation Instructions
- ICC-ES, ESR-1785 Advantech (AT-Series) Engineered Panels
- A *Pei* Test Report No. 2018-6149 - Cantilever Diaphragm Testing for SAP Board Floor Decking