

Pei Evaluation Service® is an accredited ISO Standard 17065 Product Certifier, accredited by the IAS. This **Product Evaluation Report** represents a product that **Pei ES** has Evaluated. This product has a Product Evaluation Service Agreement & Follow-up Inspection Service Agreement. This **Product Evaluation Report** in no way implies warranty for this product or relieves **USG Interiors, LLC** and **CGC Interiors, LLC** of their liabilities for this product. This **PER** is an official document if it is within one year of the initial or re-approval date.

Initial Approval
August, 2015

Re-Approved
August, 2018

See all **Pei ES** Listings at: www.p-e-i.com

Report Owner

USG Interiors, LLC
550 West Adams Street
Chicago, Illinois 60661

Approved Manufacturing Locations

USG Interiors, LLC Plant # 601 1000 Crocker Rd. Westlake, OH 44145	USG Interiors, LLC Plant # 603 2575 East Loomis Rd. Stockton, CA 95205	USG Interiors, LLC Plant # 605 1000 Donn Dr. Cartersville, GA 30120	CGC Interiors, LLC Plant # 091 735 Fourth Line Rd. Oakville, Ontario, Canada L6L 5B7
---	---	--	---

Product

DXI Identitee™ Suspension Ceiling System

Evaluation Report Information

usg4you@usg.com
USG Support: 800.USG4YOU

General Details

This report covers the **USG DXI Identitee™** Suspension System. The plant locations listed above have an approved Q.C Manual to manufacture the product. **USG Interiors, LLC** has an Evaluation and Follow-up Service Agreement with **Pei Evaluation Service® (Pei ES)** / Inspection Agreement with **Progressive Engineering Inc (Pei)**. The plant locations listed above will be audited Quarterly by **Pei**.

Product Description

The **DXI Identitee™** Systems described in this report, are assemblies used in interior general-use areas only. The suspended ceiling systems consist of Main and Cross Tee framing members with lay-in ceiling panels. The steel body for the suspension system members have a minimum Type G30 hot-dipped galvanized coating and are manufactured using ASTM A653 steel with a minimum yield strength of 30 ksi. **USG DXI Identitee™** Suspension System is compatible with the **USG Logix™** Integrated Ceilings System and is capable of utilizing all **USG** ceiling panels with a Fineline (FL) or Fineline Bevel (FLB) edge detail (Includes Wet Felted, X Technology, Fiberglass, and Panz Metal Ceiling Panels).

General Product Use

- DXI Identitee™** Integrated Ceiling Systems shall be installed in accordance with the **DXI Identitee™** installation guide and are subject to the conditions of this **PER**. A copy of the installation guide shall be made easily available to the installer.
- Complies with ASTM C635, ASTM C645 and must be installed in accordance with ASTM C636, ASTM E580, CISCA, and standard industry practices, within applicable code requirements.
- All construction, wood or steel framing, beams, joist, stringers and associated connections needed to support the **DXI Identitee™** Integrated Ceiling System are outside the scope of this **PER**. All construction shall follow applicable codes or be designed by a licensed Engineer.
- Finish is not UV-resistant. All **USG DONN®** Brand Suspension Grid Systems should not be installed where directly exposed to sun or weather.

Properties Evaluated

DXI Identitee™ suspension ceiling system shall be installed in accordance with the provisions of ASTM C636 and ASTM E580 unless otherwise qualified through testing. This suspension system has been uniform load tested in accordance with ASTM C635 and various assembly options have been seismically qualified through shake table testing in accordance with ICC-ES AC156.

Code Compliance Meets requirements for Suspended Ceilings in accordance with:

2012 / 2015 International Residential Code	2012 / 2015 International Building Code	
Section R302.9	Section 803.1.1	Section 808
	Section 1613	Section 2506.2.1

Meets the requirements of ASTM C635 and installation requirements of ASTM C636 as required in the 2012/2015 IBC. Ceiling panels meet the requirements for Class A in accordance with Section 803.1.1 of the 2012/2015 IBC, when tested in accordance with ASTM E84. Meets the requirements for seismic resistive suspension ceiling in accordance with ASCE 7 when tested to ICC-ES AC156. See Table 3 for approved seismic installations.

Table 1 - Seismic Design Classification

Seismic Design Category A, B	Seismic Design Category C	Seismic Design Category D, E, F
No Requirement	Intermediate Duty	Heavy Duty

Table 2 - Rated Loads

Main Tee	ASTM Class ¹	Rated Load ² (lb/ft)		
		4' Hanger Spacing	5' Hanger Spacing	6' Hanger Spacing
DXI24	Intermediate Duty	12	7.3	4.2
DXI26	Heavy Duty	16	9.1	5.2

Notes:

1. ASTM Class is valid when the ceiling grid is installed in accordance with ASTM C636 and/or ASTM E580. Alternative installations shown in Table 3 have been seismically qualified through shake table testing in accordance with ICC-ES AC156.
2. Rated loads are based upon the minimum of the load at a deflection limit of L/360 and the ultimate bending capacity divided by a safety factor of 2.0.

Table 3 - DXI Identitee Seismic Qualified Installations

Seismic Qualified Assembly	Passed AC156 @ Ss (g)	Main Tee ¹	Cross Tee ²	Wall Molding ³	Panels ⁴	System Weight	Perimeter Wires	Stabilizer Bars	Adjacent Floating Sides (Clearance) ^{5,6}	Adjacent Fixed Sides ⁵
USG DXI-A	1.75	DXI26	DXI224 (2') and DXI424 (4')	M7	Radar 2130 2'x2'x5/8" FLB	2.25	All Sides	None	ACM7 Clip (3/4")	ACM7 Clip
USG DXI-B	2.0	DXI26	DXI224 (2') and DXI424 (4')	M7	GLIP 3260 2'x2' SQ (2 Layers)	4.17	All Sides	None	ACM7 Clip (3/4")	ACM7 Clip
USG DXI-C	1.75	DXI26	DXI224 (2') and DXI424 (4')	M20	Radar 2130 2'x2'x5/8" FLB	2.25	All Sides	All Sides	2 Sides Floating (3/4")	ACM7 Clip
USG DXI-D	1.75	DXI24	DXI224 (2') and DXI424 (4')	M20	Radar 2130 2'x2'x5/8" FLB	2.25	All Sides	All Sides	2 Sides Floating (3/4")	ACM7 Clip
USG DXI-E	1.75	DXI24	DXI224 (2') and DXI424 (4')	M7	Radar 2130 2'x2'x5/8" FLB	2.25	All Sides	None	ACM7 Clip (3/4") - No Screw Through Tee Slot	ACM7 Clip
USG DXI-F	1.75	DXI24	DXI224 (2') and DXI424 (4')	M7	GLIP 3260 2'x2' SQ (2 Layers)	4.17	All Sides	None	ACM7 Clip (3/4")	ACM7 Clip
USG DXI-G	1.75	DXI26	DXI224 (2') and DXI424 (4')	Various Shadow Moldings: MS124, MS144, MS154, and MS174	Radar 2130 2'x2'x5/8" FLB	2.25	All Sides	None	ACM7 Clip (3/4")	ACM7 Clip
USG DXI-H	1.75	DXI26	DXI224 (2') and DXI424 (4')	M7	Radar 2130 2'x2'x5/8" FLB	2.25	All Sides	None	ACM7 Clip (3/4")	ACM7 Clip

Notes:

1. See Figure 1 for Main Tee profile details.
2. See Figure 2 for Cross Tee dimension details.
3. See Figure 3 for Finline (FL) and Finline Bevel (FLB) panel edge details.
4. See Figure 4 for Wall Molding profile details.
5. See Figure 5 for ACM7 Clip Floating and Fixed installation details.
6. ACM7 Floating installation includes optional screw through tee slot unless noted otherwise.

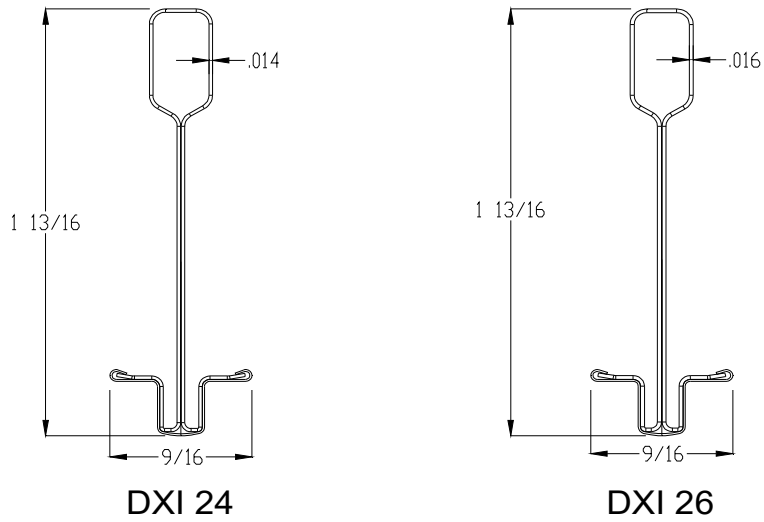


Figure 1 - DXI Main Tee Profile Details

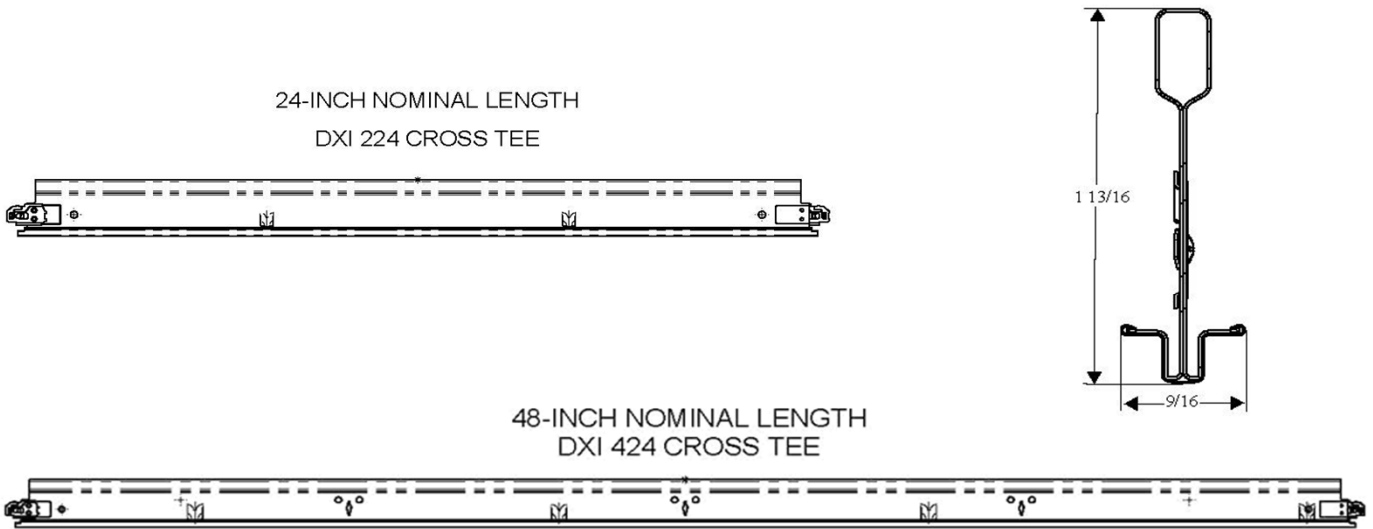


Figure 2 - DXI Cross Tee Profile Details

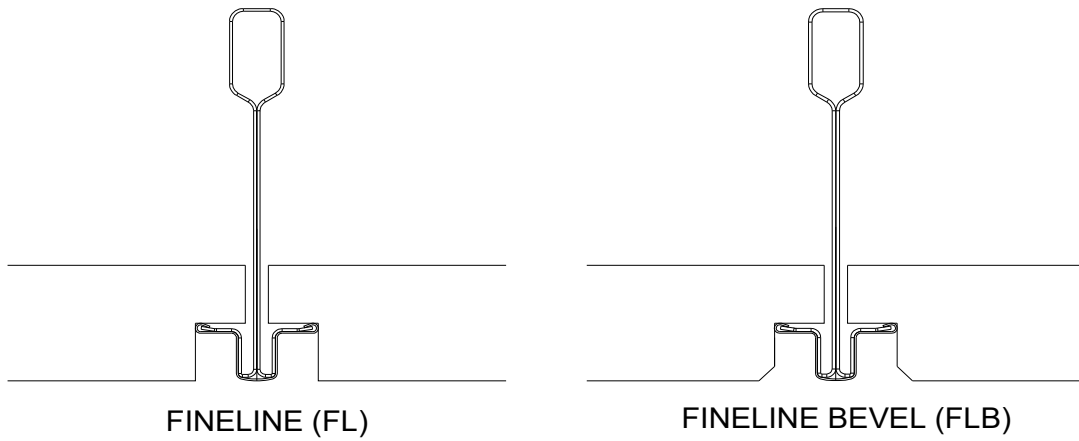


Figure 3 - Fineline (FL) and Fineline Bevel (FLB) Edge Profile Details

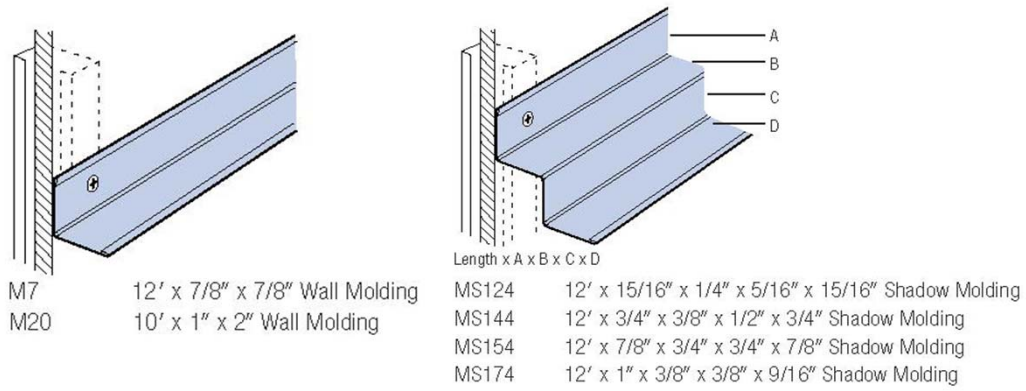


Figure 4 - Wall Molding Profile Details

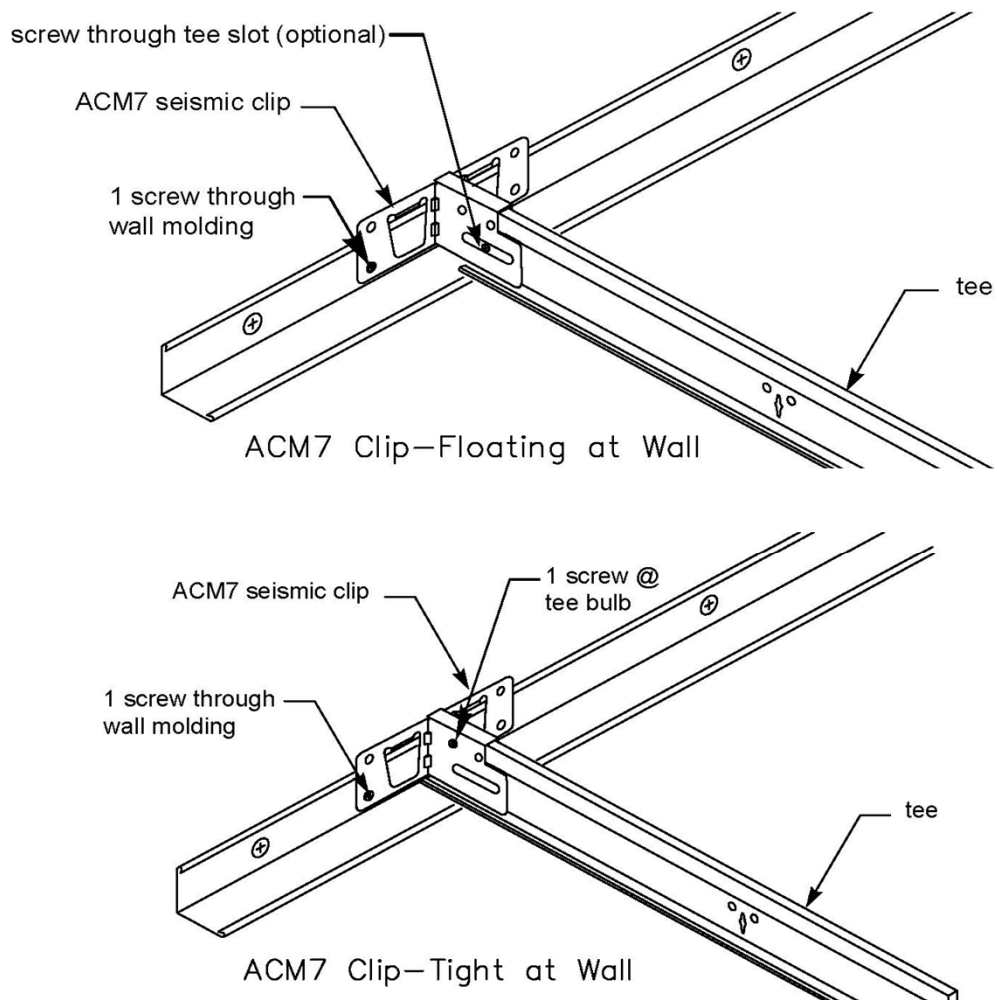


Figure 5 - ACM7 Clip Installation Details

Product Labeling

Each Grid system shipment assembly, that is covered by this **Product Evaluation Report**, must have a label attached with at least the following information:

1. [USG Interior, LLC](#) Name and Address
2. Product name
3. Plant identifier & date code
4. **Pei ES** Information: [See Pei Evaluation Report at p-e-i.com](#)
5. UL Backstamp Information for Fire Resistance

Acceptable Evaluation Marks**Product Documentation**

A Product Evaluation Service Agreement between **Pei Evaluation Service**[®] and [USG Interiors, LLC](#)

A Follow-up Inspection Service Agreement between [Progressive Engineering Inc.](#) and [USG Interiors, LLC](#)

[USG Interiors, LLC](#) Quality Control Manual for **DONN**[®] Brand Suspension Systems and [USG Drywall Specialty Products](#) - Dated: 9/18/2017

DONN[®] **Identitee**[™] **DXI**[™] - Acoustical Suspension System Data Sheet - AC3281 - Dated: 8/2017

SDS No. 42000001001 - **DONN**[®] **DX**[®]/**DXL**[™] Acoustical Suspension System - Dated: 12/27/2013

Logix[™] Systems - Technical Document - Seismic Technical Guide -- Dated: 1/2015

Pei Test Report No. 2015-0937 - AC 368 Uniform Load and Connection Tests on DXI Main Tee and Cross Tee Suspension Ceiling Systems - Dated: 6/29/2015

Underwriters Laboratories Inc. Certification of Compliance No. 240498-R4615B - "Gypsum Ceiling Panels" with Vinyl Film Facing - ANSI/UL723, Test for Surface Burning Characteristics of Building Materials (ASTM E-84, NFPA 255) - Report Reference: R4615, 2/6/1991 - Certificate Issue Dated: 4/24/1998

Underwriters Laboratories Inc. Certification of Compliance No. 210301-R3623E - "AURATONE" Acoustical Ceiling Panels with Painted Surface - ANSI/UL723, Test for Surface Burning Characteristics of Building Materials (ASTM E-84, NFPA 255) - Report Reference: R3623, 8/16/1982 - Certificate Issue Dated: 5/21/2001

Test Report No. SER14/02 - Seismic Evaluation of Suspended Ceiling Systems - Dated: 1/31/2014

Pei Project No. 2015-0723 - **DXI Identitee**[™] Rated Load Calculations - Revision 1 - Dated: 6/29/2015

Pei Project No. 2016-1102 - **Logix**[™] Grid Systems - Rated Load Calculations - Dated: 8/5/2016